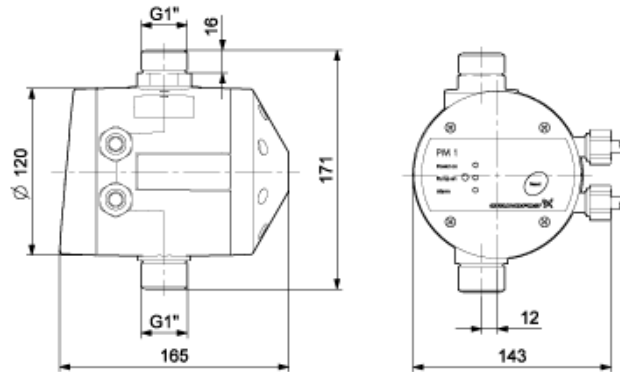
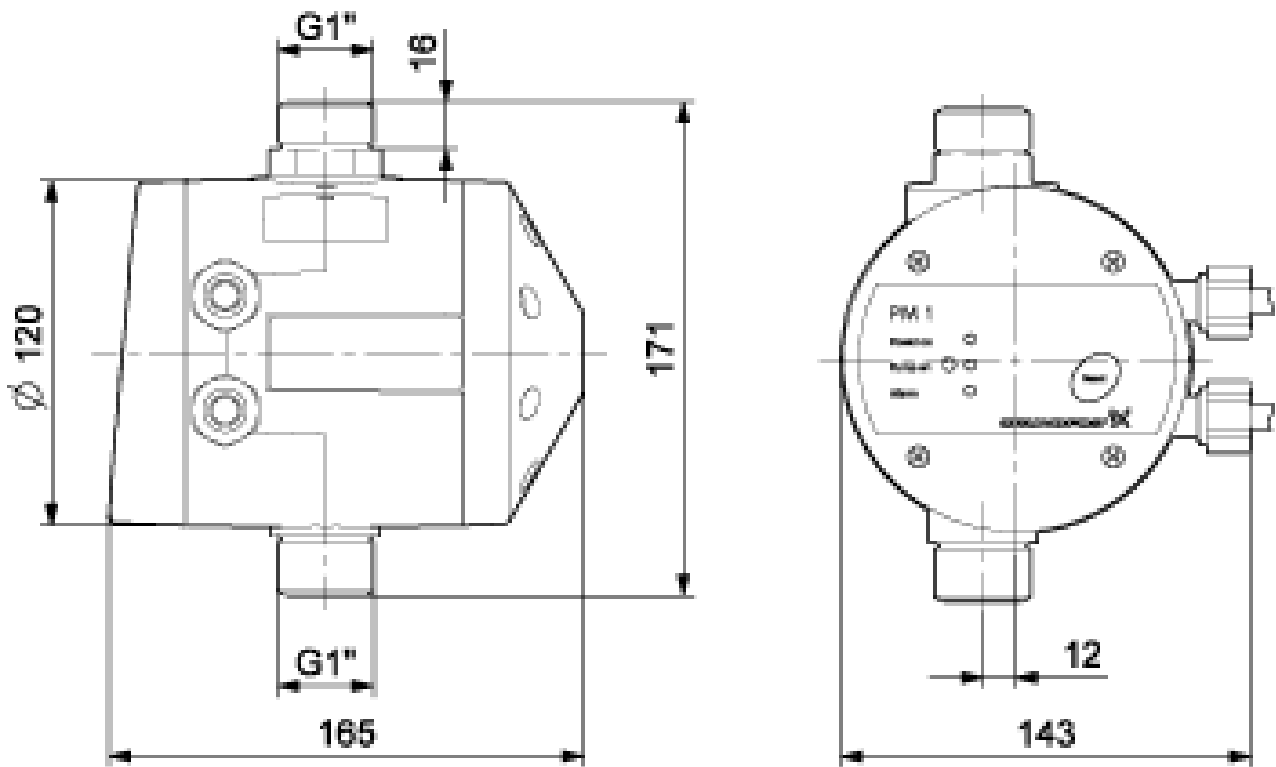


Position	Qty.	Description
	1	<p>PM 1</p>  <p style="text-align: right;">Note! Product picture may differ from actual product</p> <p>Product No.: 96848670</p> <p>The Grundfos PM 1 pressure manager is designed for automatic start/stop control of Grundfos pumps and other water supply pumps.</p> <p>The PM 1 is suitable for applications where start/stop of the pump according to consumption is needed. It is the basic control solution offering start at 1.5 bar bar. The PM 1 starts the pump when the start pressure is reached, and the pump keeps running as long as there is a flow.</p> <p>The PM 1 offers dry-running protection and cycling alarm for increased safety.</p> <p>Liquid: Liquid temperature range: 0 .. 40 °C</p> <p>Technical: Approvals and markings: CE VDE ACS C-TICK GOST</p> <p>Installation: Maximum ambient temperature: 50 °C Maximum operating pressure: 10 bar Inlet connect: G1" Outlet connect: G1" Inlet thread: External Outlet thread: External Pres. Read-out: NO</p> <p>Electrical data: Maximum current consumption: 6 A Max. power input: 1200 W Mains frequency: 60 Hz Rated voltage: 1 x 220-240 V Enclosure class (IEC 34-5):: IP65</p> <p>Tank: Volume of pressure tank: 0.1 l</p> <p>Others: Net weight: 0.89 kg Gross weight: 1.65 kg</p>

Description	Value
General information:	
Product name:	PM 1
Product No:	96848670
EAN number:	5700311918081
Price:	On request
Technical:	
Approvals and markings:	CE VDE ACS C-TICK GOST
Valve:	YES
Installation:	
Maximum ambient temperature:	50 °C
Maximum operating pressure:	10 bar
Cut-in pressure:	1.5 bar
Inlet connect:	G1"
Outlet connect:	G1"
Inlet thread:	External
Outlet thread:	External
Pres. Read-out:	NO
Liquid:	
Liquid temperature range:	0 .. 40 °C
Electrical data:	
Maximum current consumption:	6 A
Max. power input:	1200 W
Mains frequency:	60 Hz
Rated voltage:	1 x 220-240 V
Enclosure class (IEC 34-5)::	IP65
Tank:	
Volume of pressure tank:	0.1 l
Others:	
Net weight:	0.89 kg
Gross weight:	1.65 kg



96848670 PM 1 60 Hz



Note! All units are in [mm] unless others are stated.
Disclaimer: This simplified dimensional drawing does not show all details.