



Position	Qty.	Description
	1	<p>CM1-3 A-R-A-E-AVBE</p>  <p>Product No.: 97512922</p> <p>Compact, reliable, horizontal, multistage, end-suction centrifugal pump with axial suction port and radial discharge port. The shaft, impellers and chambers are made of stainless steel. The inlet and discharge parts are made of cast iron. The mechanical shaft seal is a special designed, unbalanced O-ring seal. Pipework connection is via internal Whitworth pipe threads, Rp (ISO 7/1).</p> <p>The pump is fitted with a 1-phase, foot-mounted, fan-cooled asynchronous motor.</p> <p>Further product details</p> <p>Pump and motor are integrated in a compact and user-friendly design. The pump is fitted to a low base plate, making it ideal for installation in systems where compactness is important.</p> <p>The state-of-the-art design and materials of the shaft seal ensure high wear resistance, improved sticking and dry-running capabilities and long operating life.</p> <p>Servicing the pump requires no special service tools. Service parts are in stock for quick delivery and are available as kits, single parts or bulk. Service videos are available on www.youtube.com.</p> <p>Pump</p> <p>A combination of a stop ring and a Nord-lock® washer secures a tight and reliable fixation of the impeller spacing pipes to the splined pump shaft. It is possible to remove and fit the hydraulic parts from the pump side. The inlet part, chambers and discharge part are hold together by four staybolts.</p> <p>The pump is fitted with an unbalanced O-ring seal with a rigid torque transmission system. It has a fixed seal driver ensuring a reliable rotation of all parts. The dynamic secondary seal is an O-ring.</p> <p>Primary seal:</p> <ul style="list-style-type: none"> - Rotating seal ring material: Aluminium oxide (alumina) - Stationary seat material: Carbon graphite, resin-impregnated <p>Carbon graphite against alumina is a good all-round seal for not too demanding applications. The corrosion resistance is often limited in water to a range between pH 5 and pH 10. Usage in liquids above +90 °C is not recommended. The seal can handle dry-running conditions for short periods.</p> <p>Secondary seal material: EPDM (ethylene-propylene rubber)</p> <p>EPDM has excellent resistance to hot water. EPDM is not suitable for mineral oils.</p>  <p>The pump shaft is connected to the motor shaft through a left thread and tight fit. The shaft cannot be dismantled.</p> <p>Motor</p> <p>The motor is a totally enclosed, fan-cooled motor with principal dimensions to EN 50347. Electrical tolerances comply with EN 60034.</p> <p>The motor efficiency is classified as IE1 in accordance with IEC 60034-30.</p>

The motor does not incorporate motor protection and must be connected to a motor-protective circuit breaker which can be manually reset. The motor-protective circuit breaker must be set according to the rated current of the motor (I1/1).

Technical data**Liquid:**

Pumped liquid: Water
Liquid temperature range: -20 .. 90 °C
Liquid temp: 20 °C
Density: 998.2 kg/m³

Technical:

Speed for pump data: 3480 rpm
Rated flow: 2 m³/h
Rated head: 25.5 m
Primary shaft: AVBE
Approvals on nameplate: CE,CULUS,WRAS,ACS,TR
Curve tolerance: ISO9906:2012 3B

Materials:

Pump housing: Cast iron
EN-JL1030
AISI 30 B
Impeller: Stainless steel
DIN W.-Nr. 1.4301
AISI 304
Rubber: EPDM

Installation:

Maximum ambient temperature: 55 °C
Maximum operating pressure: 10 bar
Max pressure at stated temp: 6 bar / 90 °C
10 bar / 40 °C
Flange standard: WHITWORTH THREAD RP
Pump inlet: Rp 1
Pump outlet: Rp 1

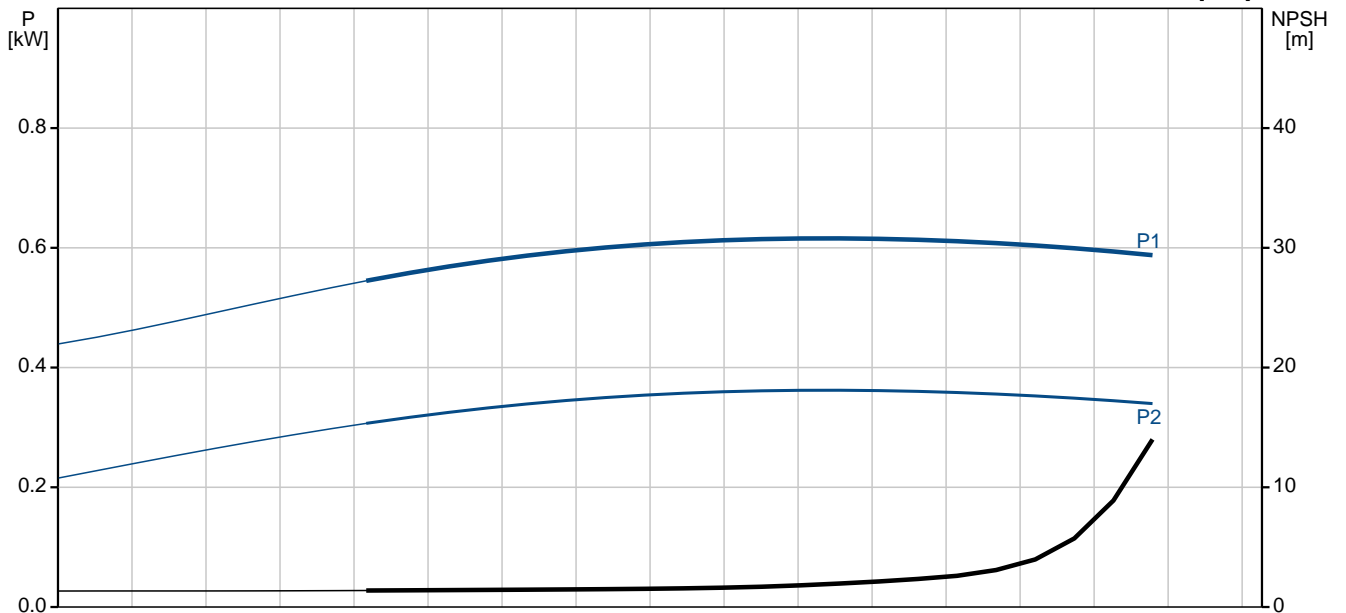
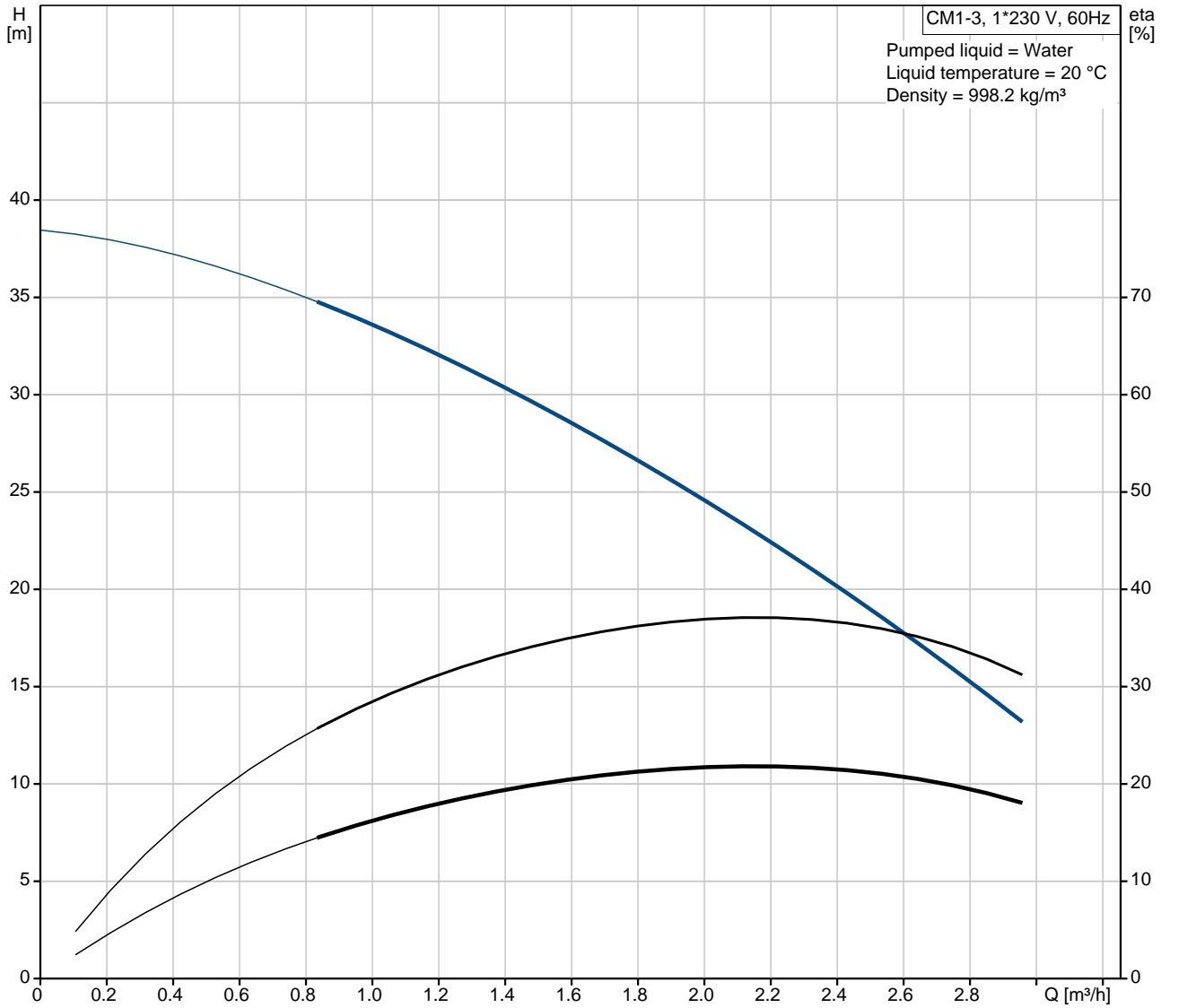
Electrical data:

Motor type: 71BA
IE Efficiency class: IE1
Rated power - P2: 0.6 kW
Mains frequency: 60 Hz
Rated voltage: 1 x 115/230 V
Service factor: 1
Rated current: 7,6/3,6 A
Rated speed: 3240 rpm
Enclosure class (IEC 34-5):: IP55
Insulation class (IEC 85): F

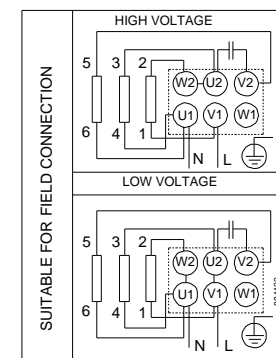
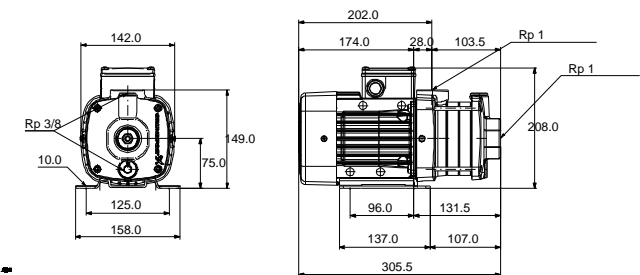
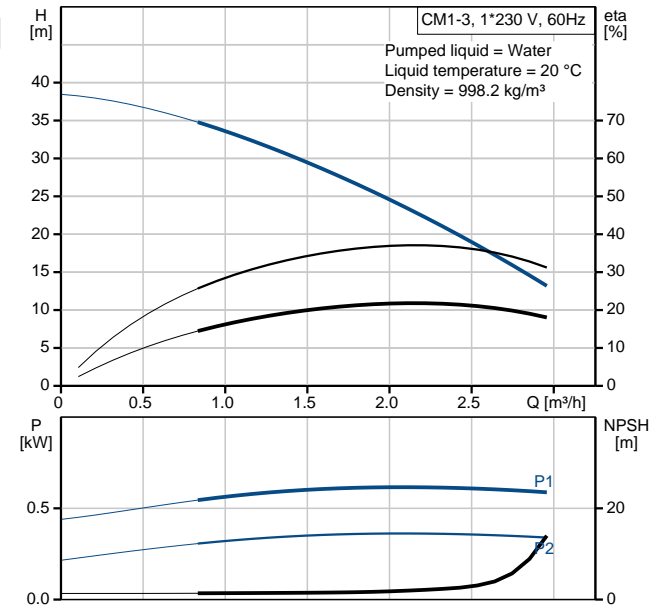
Others:

Minimum efficiency index, MEI : 0,7
Net weight: 12 kg
Gross weight: 14.5 kg

97512922 CM1-3 60 Hz



Description	Value
General information:	
Product name:	CM1-3 A-R-A-E-AVBE
Product No:	97512922
EAN number:	5700317189775
Price:	On request
Technical:	
Speed for pump data:	3480 rpm
Rated flow:	2 m ³ /h
Rated head:	25.5 m
Impellers:	3
Primary shaft:	AVBE
Approvals on nameplate:	CE,CULUS,WRAS,ACS,TR
Curve tolerance:	ISO9906:2012 3B
Pump version:	A
Model:	A
Materials:	
Pump housing:	Cast iron EN-JL1030 AISI 30 B
Impeller:	Stainless steel DIN W.-Nr. 1.4301 AISI 304
Material code:	A
Rubber:	EPDM
Code for rubber:	E
Installation:	
Maximum ambient temperature:	55 °C
Maximum operating pressure:	10 bar
Max pressure at stated temp:	6 bar / 90 °C 10 bar / 40 °C
Flange standard:	WHITWORTH THREAD RP
Connect code:	R
Pump inlet:	Rp 1
Pump outlet:	Rp 1
Liquid:	
Pumped liquid:	Water
Liquid temperature range:	-20 .. 90 °C
Liquid temp:	20 °C
Density:	998.2 kg/m ³
Electrical data:	
Motor type:	71BA
IE Efficiency class:	IE1
Rated power - P2:	0.6 kW
Mains frequency:	60 Hz
Rated voltage:	1 x 115/230 V
Service factor:	1
Rated current:	7,6/3,6 A
Rated speed:	3240 rpm
Enclosure class (IEC 34-5)::	IP55
Insulation class (IEC 85):	F
Motor protec:	NO
Others:	
Minimum efficiency index, MEI :	0,7





Company name: Grundfos

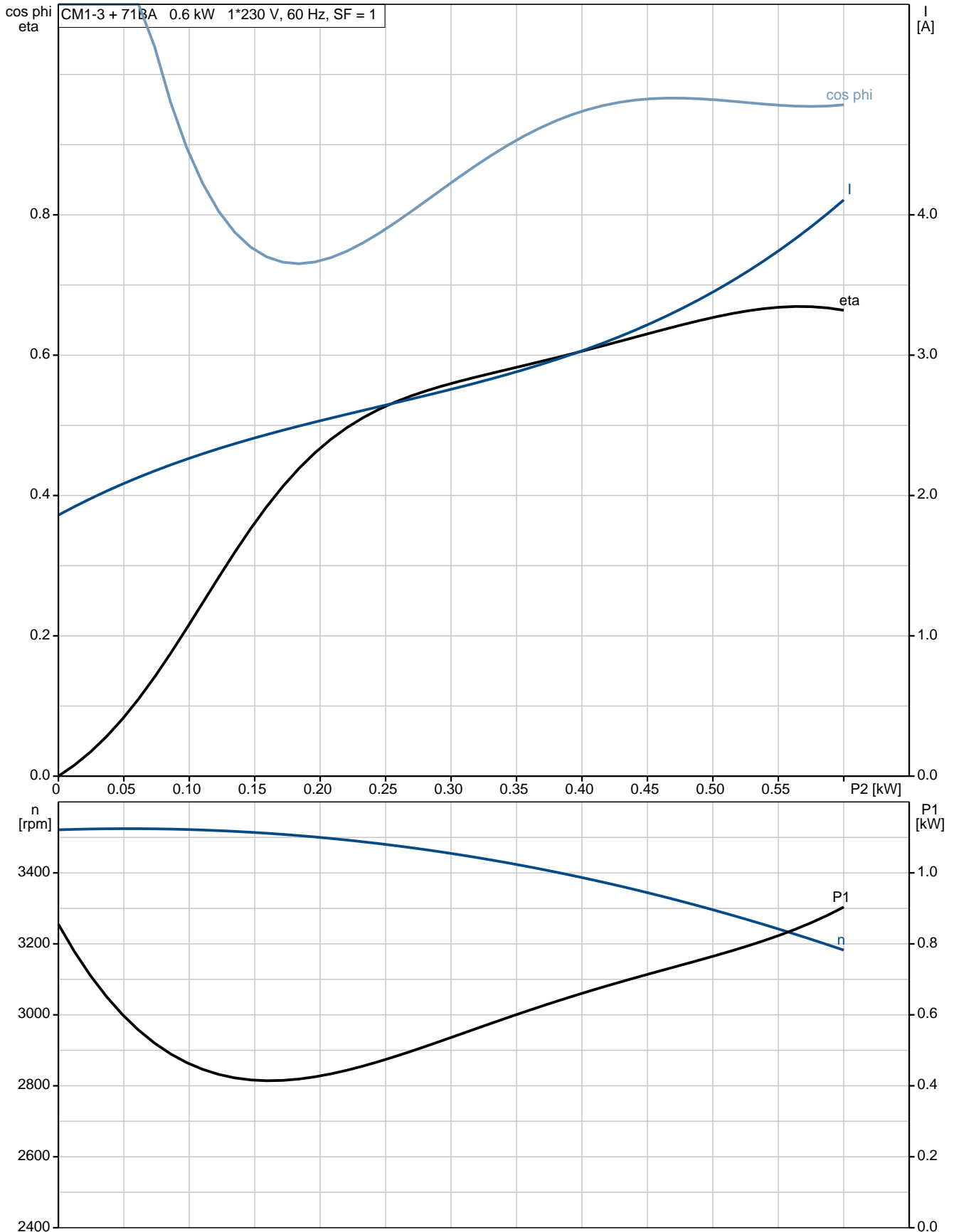
Created by:

Phone:

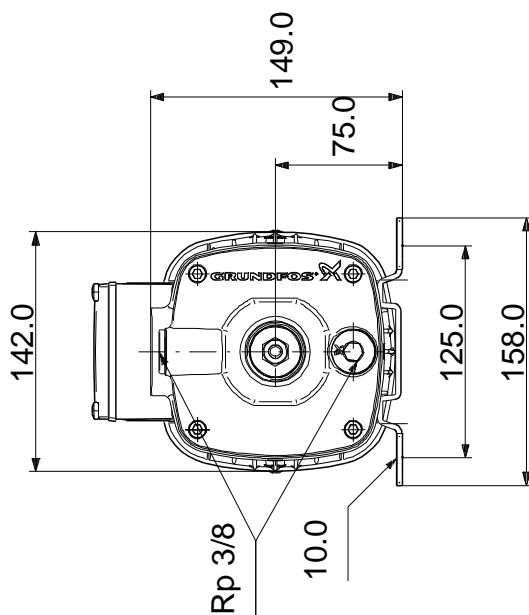
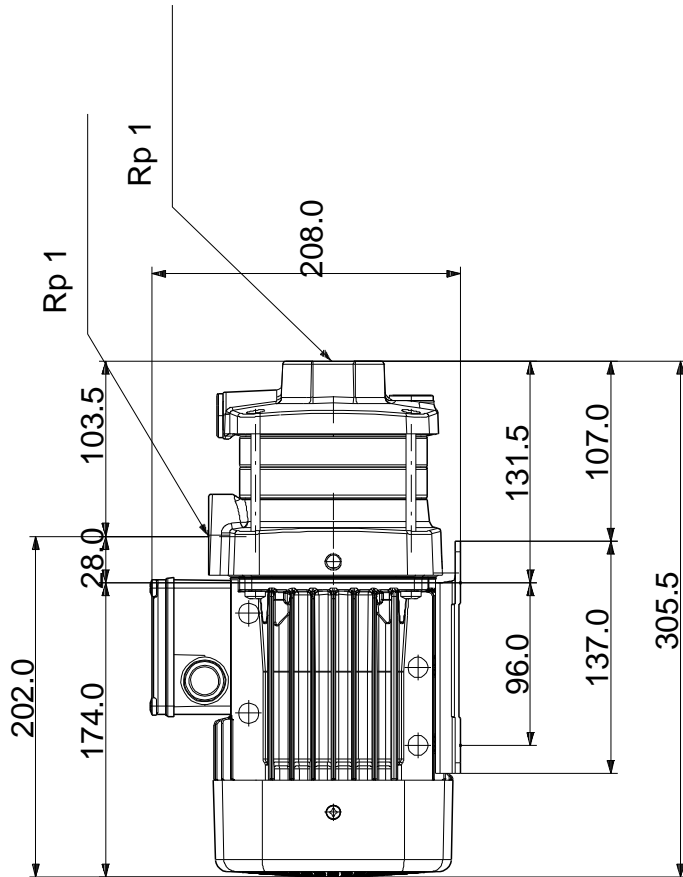
Date: 1/10/2016

Description	Value
Net weight:	12 kg
Gross weight:	14.5 kg

97512922 CM1-3 60 Hz



97512922 CM1-3 60 Hz

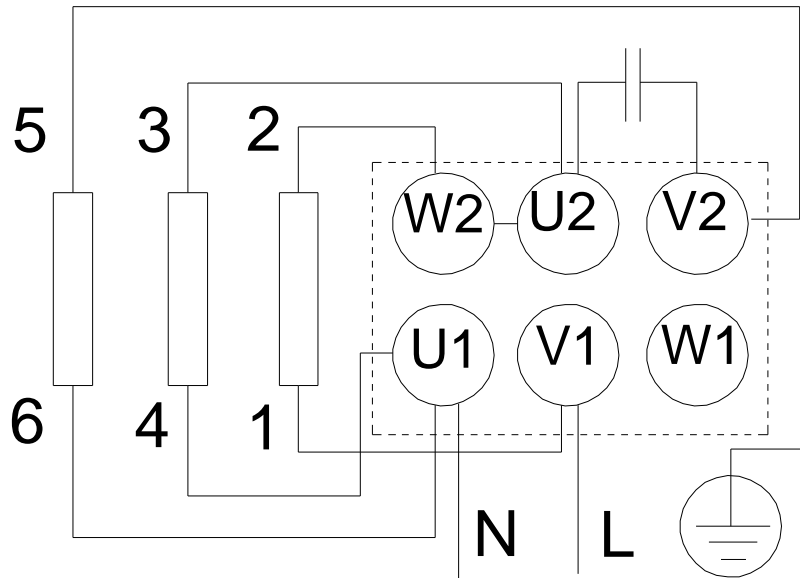


Note! All units are in [mm] unless others are stated.
 Disclaimer: This simplified dimensional drawing does not show all details.

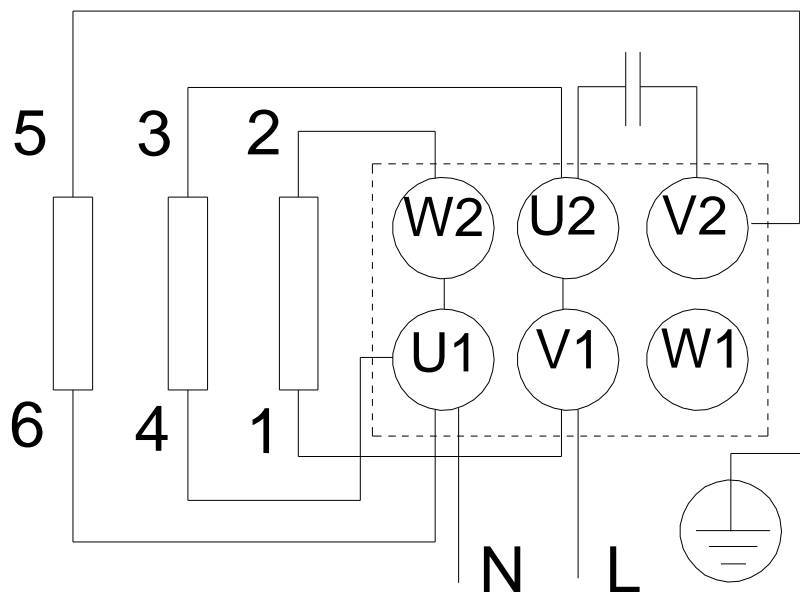
97512922 CM1-3 60 Hz

SUITABLE FOR FIELD CONNECTION

HIGH VOLTAGE



LOW VOLTAGE



884422

Note! All units are in [mm] unless others are stated.